

600W Series

Whole House Air Purifier Unit Set Up

Attach the top

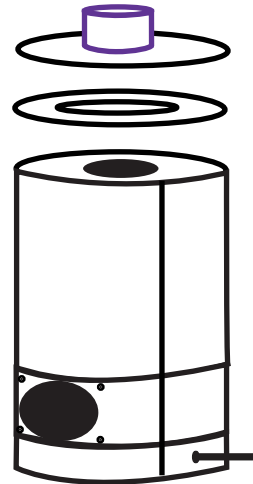
Place the white felt gasket on top of the filters
Place the top and align the holes in the top with the holes on the 4 brackets without pushing the top completely down all around
Place one screw with its washer and screw in partially
Fit the top onto the body all around
Screw in the 3 remaining screws
Tighten fully the first screw

Attach the elbow

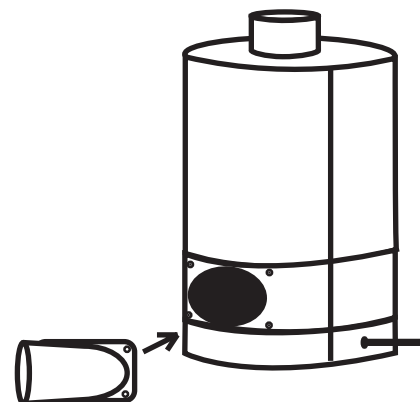
Place the elbow over the oval opening on the unit so that the elbow is towards the left when looking from the back of the unit.
(The clean air flows out in a clockwise direction)
Attach the elbow with the 4 screws provided

Attach standard 5" pipes

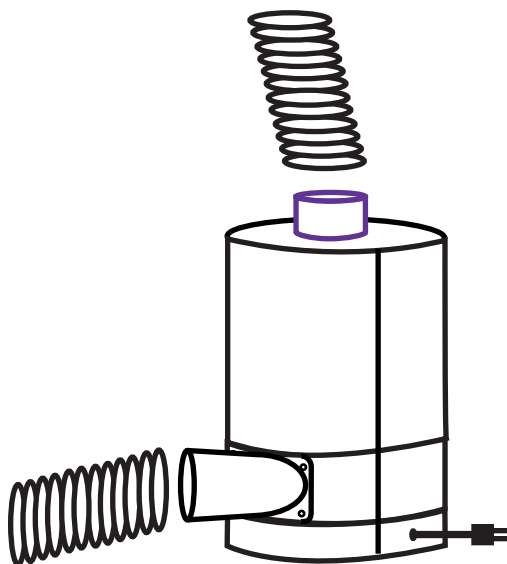
Attach standard 5" pipes from the house ventilation system to create a bypass to the air purification system



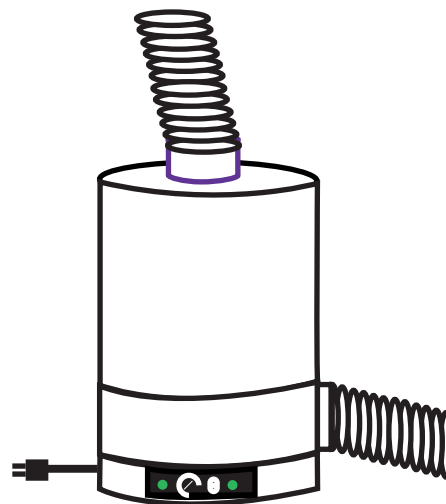
Back view



Back view



Back view

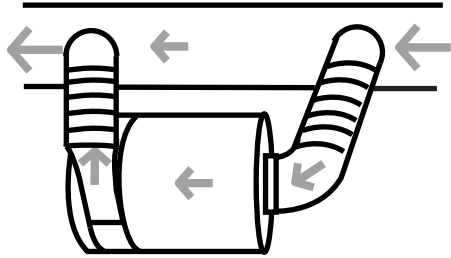


Front view

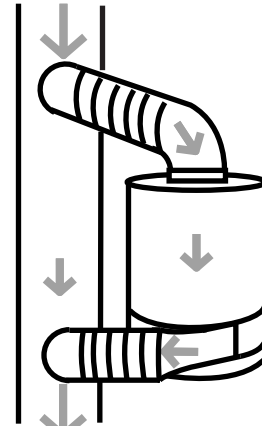
600W Series

Whole House Air Purifier

Connection Possibilities



Horizontal duct bypass
(6 feet between connections recommended)

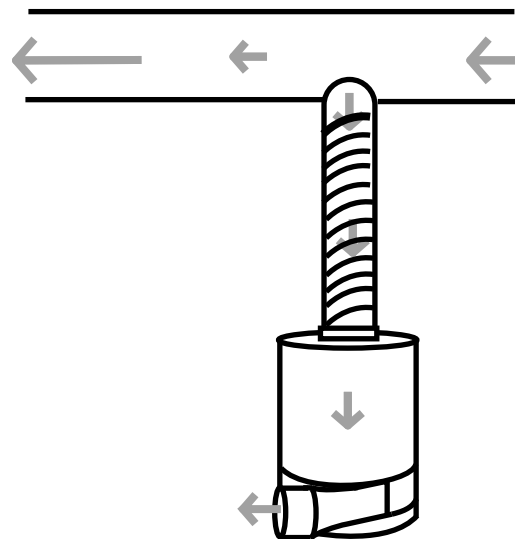


(6 feet between connections recommended)

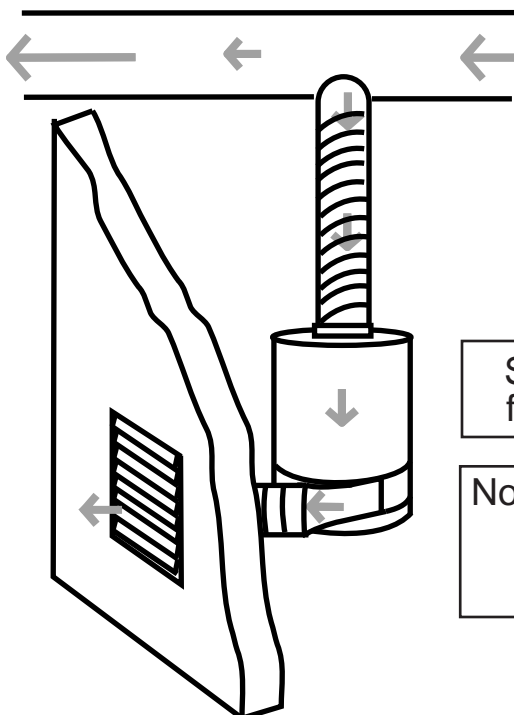
Vertical duct bypass

Wall mount brackets available

Vertical Horizontal



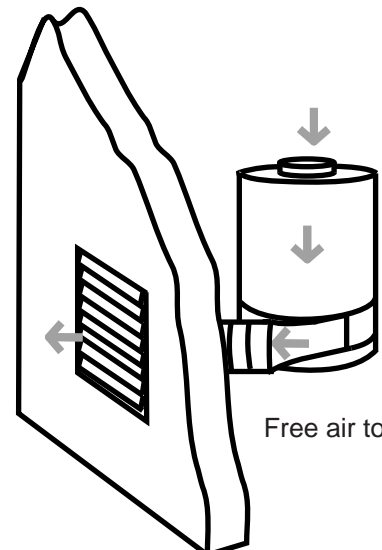
Extraction from duct



Duct to wall vent

Standard 5" flanges for easy connection

No hardwire connection - plug-in only



Free air to wall vent